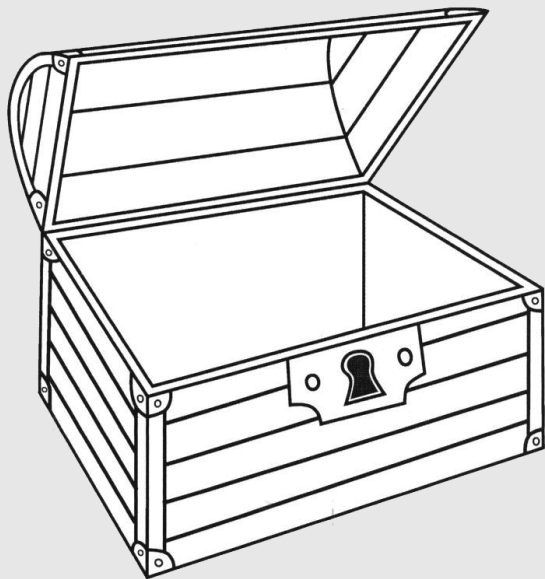


Investigate the News

BURIED TREASURE

Search print and online newspapers for items that you'd like to find if you opened a buried treasure chest. Write what you choose or cut out and place the items in this treasure chest:



SHARE what you chose and explain your choices. Did you place only concrete objects in the treasure chest? Did you include hopes and dreams?